



Adaptahorn

- High output penetrating sound
- Choice of mounting styles for use in any location
- Wide choice of voltages
- High quality mechanism for long life
- Standard and weatherproof versions available

The Adaptahorn buzzer has a powerful output giving a penetrating, low frequency sound. With a variety of mounting options, they can be used in almost any application, both indoors and outdoors.

Using a traditional, high quality mechanism, they are designed for long life and have a continuous running time of over 70 hours.

The choice of housings gives the option for surface and panel mounting as well as a weatherproof version.

A volume control allows the installer to set the sound output to the desired level in every application.

A wide choice of voltages is available in addition to the standard voltages shown overleaf.

Applications

- Moving machinery
- Cranes and mechanical handling equipment
- Process control alarms
- Time signalling

Fire ✓

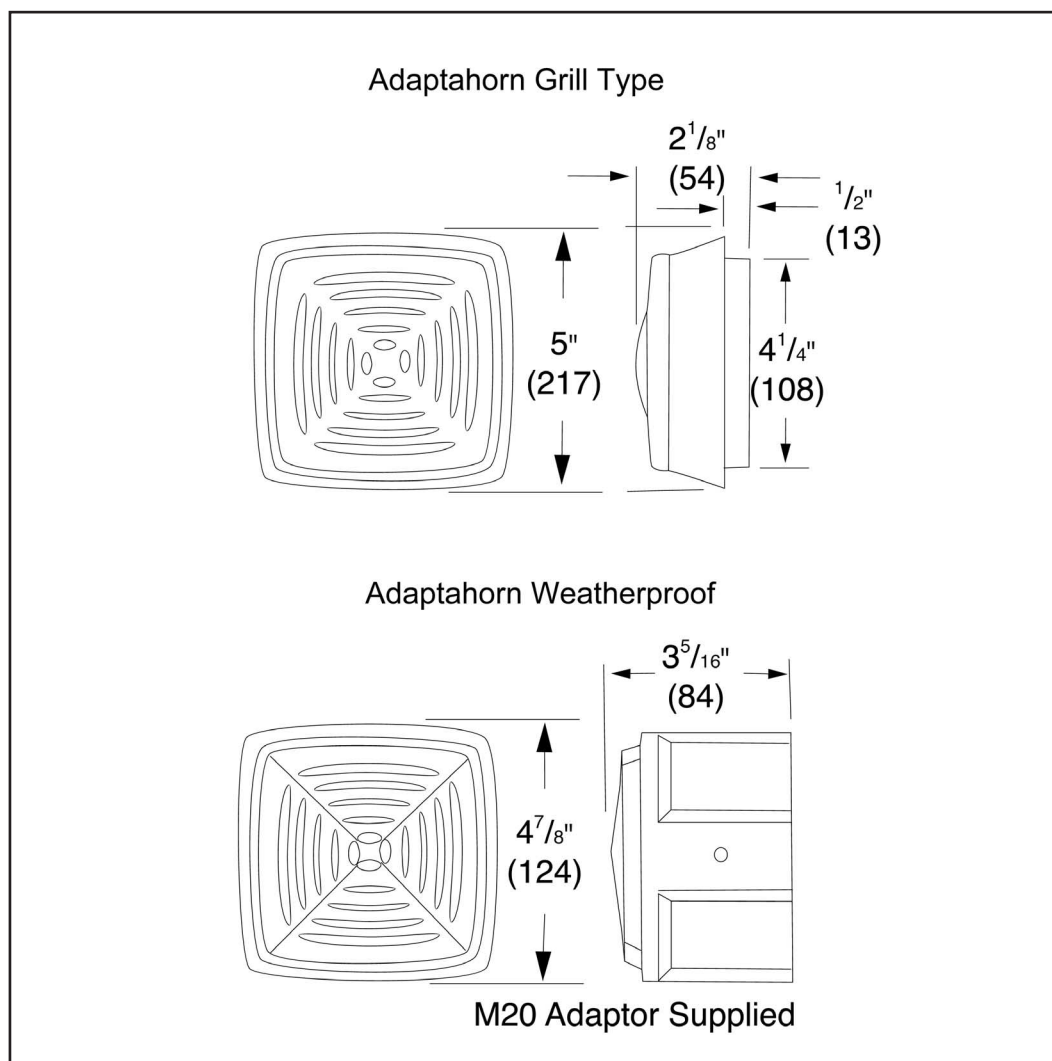
Security ✓

Industrial ✓

Railway/Marine ✓

Hazardous Area ✗

Public Warning ✗



Part No.	Colours	Audibility at 1m	Tones	Voltage	Current
Grill Type					
17-970254	Grey	110dB (A) ±3dB	1	12V DC	0.27A
18-970133	Grey	110dB (A) ±3dB	1	24V DC	0.16A
18-970131	Grey	112dB (A) ±3dB	1	120V AC	0.13A
18-970132	Grey	112dB (A) ±3dB	1	230V AC	0.06A
Weatherproof					
17-970255	Grey	110dB (A) ±3dB	1	12V DC	0.27A
18-970013	Grey	110dB (A) ±3dB	1	24V DC	0.16A
18-970011	Grey	112dB (A) ±3dB	1	120V AC	0.13A
18-970012	Grey	112dB (A) ±3dB	1	230V AC	0.06A

IP Rating: Grill Type: IP44; Weatherproof: IP65
Rating: Continuous
Frequency: 350-400Hz
Operating temp: -35°C to +66°C
Construction: Grill Type: Zinc alloy body with pressed steel backplate
 Weatherproof: Zinc alloy body with zinc alloy back box
Cable Entries: Weatherproof: M20 and 3/4" NPT
Weight: Grill Type: 1.2kg; Weatherproof: 1.6kg



FL3S Buzzer

- Powerful high output alarm
- Penetrating low frequency sound
- Low voltage DC and high voltage AC for use in all applications
- Reliable mechanism designed for long life
- Mounting bracket for ease of installation
- Weatherproof version available for outdoor or exposed locations

The FL3S is a powerful, high output buzzer giving a penetrating low frequency tone.

Using a combination of solid state switching circuits with a traditional buzzer mechanism, this unit eliminates the reliability problems traditionally associated with this type of product. This gives a long life under arduous operating conditions.

There is a choice of standard industrial or weatherproof units and are designed for any application where a high alarm output is required.

Both units have a wide voltage range for flexibility of operation.

Applications

- Fork lift trucks
- Emergency alarm
- Process control alarm
- Mechanical handling machinery

Fire ✓

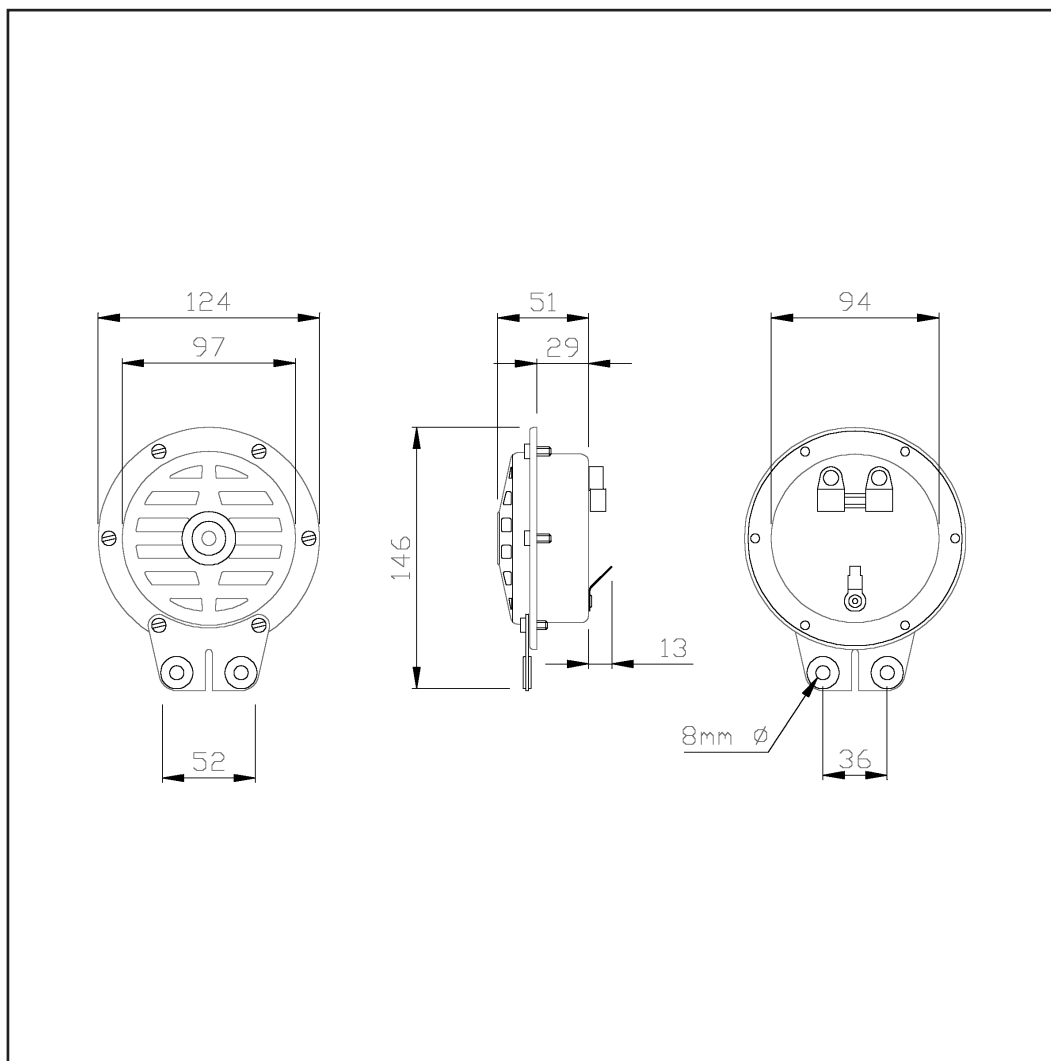
Industrial ✓

Hazardous Area ✗

Security ✓

Railway/Marine ✓

Public Warning ✗



Part No.	Colours	Audibility at 1m	Tones	Voltage	Current
Industrial					
17-970007	Black	116dB (A) \pm 3dB	1	24/72V DC 24/48V AC	0.8A
17-970008	Black	116dB (A) \pm 3dB	1	110/230V AC/DC	0.2A
Weatherproof					
18-980254	Black	116dB (A) \pm 3dB	1	24/72V DC 24/48V AC	0.8A
18-980255	Black	116dB (A) \pm 3dB	1	110/230V AC/DC	0.2A

IP Rating: Industrial: IP50; Weatherproof: IP65
Rating: On 10 minutes, off 10 minutes
Frequency: 400Hz \pm 20Hz
Operating temp: -10°C to +40°C
Construction: Mild Steel (Weatherproof version has a 75mm deep plastic backbox)
Cable Entries: 1 (Weatherproof version)
Weight: 1.25kg



HF8 Buzzer

- High output penetrating sound
- Rugged metal construction
- Reliable mechanism designed for long life
- Low voltage DC and high voltage AC for use in all applications
- Mounting bracket for ease of installation
- Weatherproof to IP64

The HF8 is a weatherproof signalling horn designed for both industrial and light marine applications.

Producing a high output penetrating sound, it is particularly suitable for use on small boats and canal barges as well as industrial alarms such as time signalling and process control alarms.

With a wide voltage range and mounted in a rugged metal casing, it is suitable for use in almost any environment.

Applications

- Small boats and canal barges
- Process control alarms
- Time signalling
- Mechanical handling equipment and cranes

Fire ✓

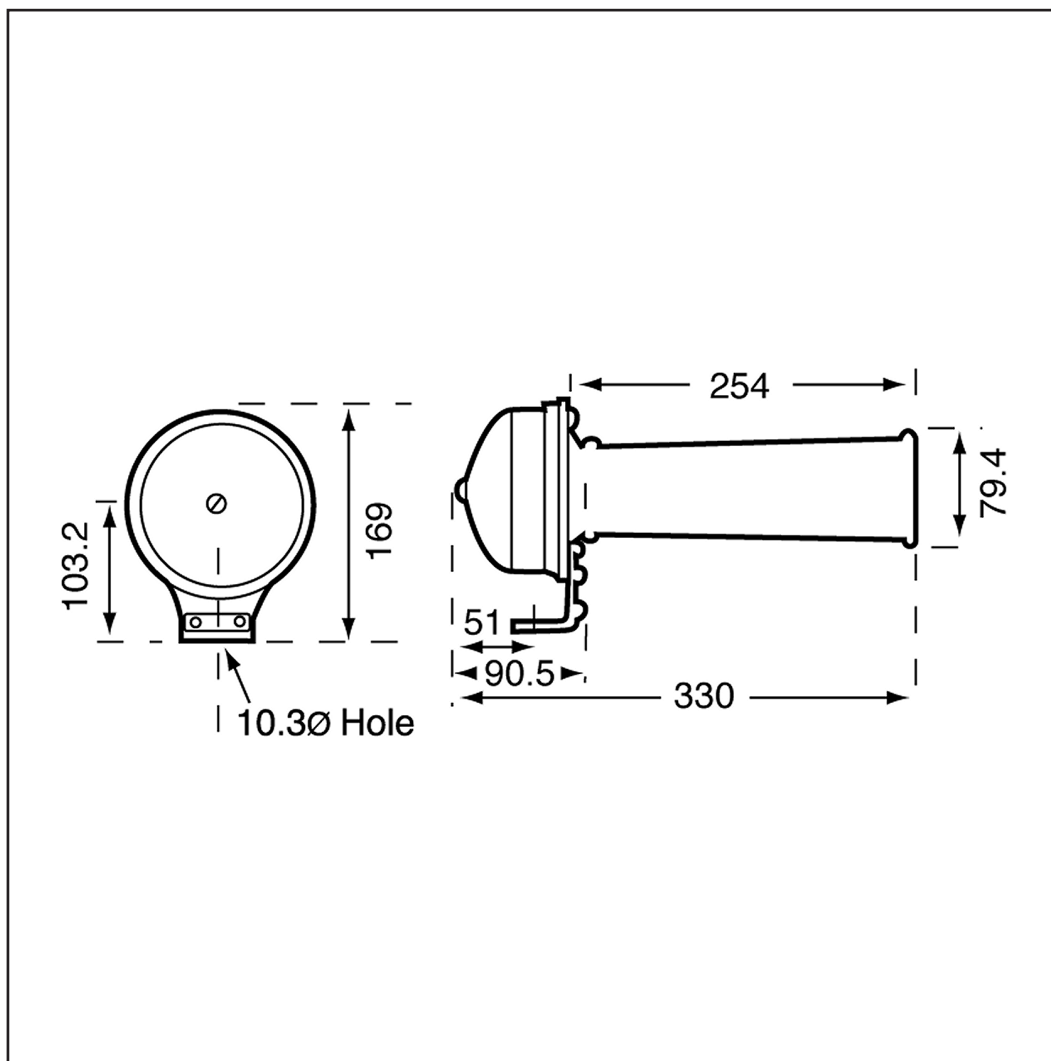
Industrial ✓

Hazardous Area ✗

Security ✓

Railway/Marine ✓

Public Warning ✗



Part No.	Colours	Audibility at 1m	Tones	Voltage	Current
18-980277	Grey	111dB (A) ±3dB	1	110/230V AC/DC	0.8A
18-980278	Grey	111dB (A) ±3dB	1	24/48V AC 24/72V DC	0.2A

IP Rating: IP64
Rating: On 10 minutes, off 10 minutes
Frequency: 400Hz
Operating temp: -10°C to +40°C
Construction: Brass
Cable Entries: 1
Weight: 2.1kg



KKTB Buzzer

- High quality “real buzzer” sound
- Choice of 12 or 24V units
- Choice of flat top or trumpet top units
- Compact design
- Fixing hole provided for ease of installation

The KKTB flat top and trumpet top miniature buzzers produce a rich, low frequency sound which is ideal for security, fire, automotive and industrial signalling.

Using a traditional buzzer mechanism, they have a higher quality sound compared with most piezo based products.

The compact design and convenient fixing hole allow for easy installation in all locations.

Applications

- Process control alarm
- Toys
- Panel alarms for:
 - automotive
 - aerospace
 - fire
 - marine
 - railway
 - security

Fire ✓

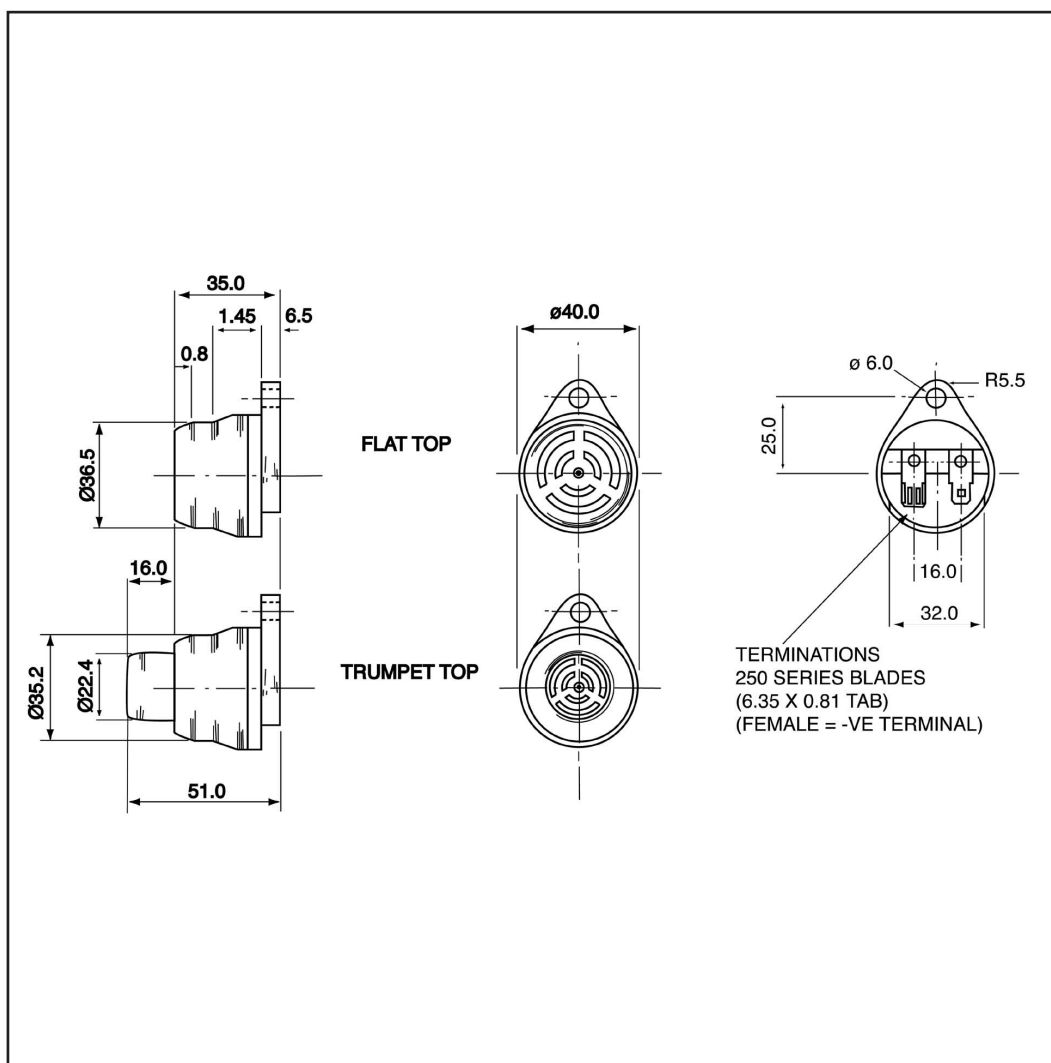
Industrial ✓

Hazardous Area ✗

Security ✓

Railway/Marine ✓

Public Warning ✗



Part No.	Colours	Audibility at 1m	Tones	Voltage	Current
Flat Top					
17-970026	Black	80dB (A) ±3dB	1	6-14V DC	30mA
17-970029	Red	80dB (A) ±3dB	1	10-28V DC	25mA
Trumpet Top					
17-970028	Black	75dB (A) ±3dB	1	6-14V DC	30mA
17-970031	Red	75dB (A) ±3dB	1	10-28V DC	25mA

IP Rating: IP34
Rating: Continuous
Frequency: 450Hz ±20Hz
Operating temp: -30°C to +85°C
Construction: ABS
Cable Entries: N/A
Weight: 28g



P40 and P60 Buzzers

- High sound output
- Wide voltage range
- Choice of continuous or pulsed signals
- Compact designs for installation in all locations

The P40 and P60 Buzzers are high output buzzers designed for warning in security, fire, automotive and industrial signalling.

With a choice of two signals (continuous or pulsed) from each unit, they are ideal for use as panel warning sounders where an additional signal may be required.

Applications

- Process control alarm
- Panel alarm in automotive and aerospace applications
- Moving machinery alarm

Fire ✓

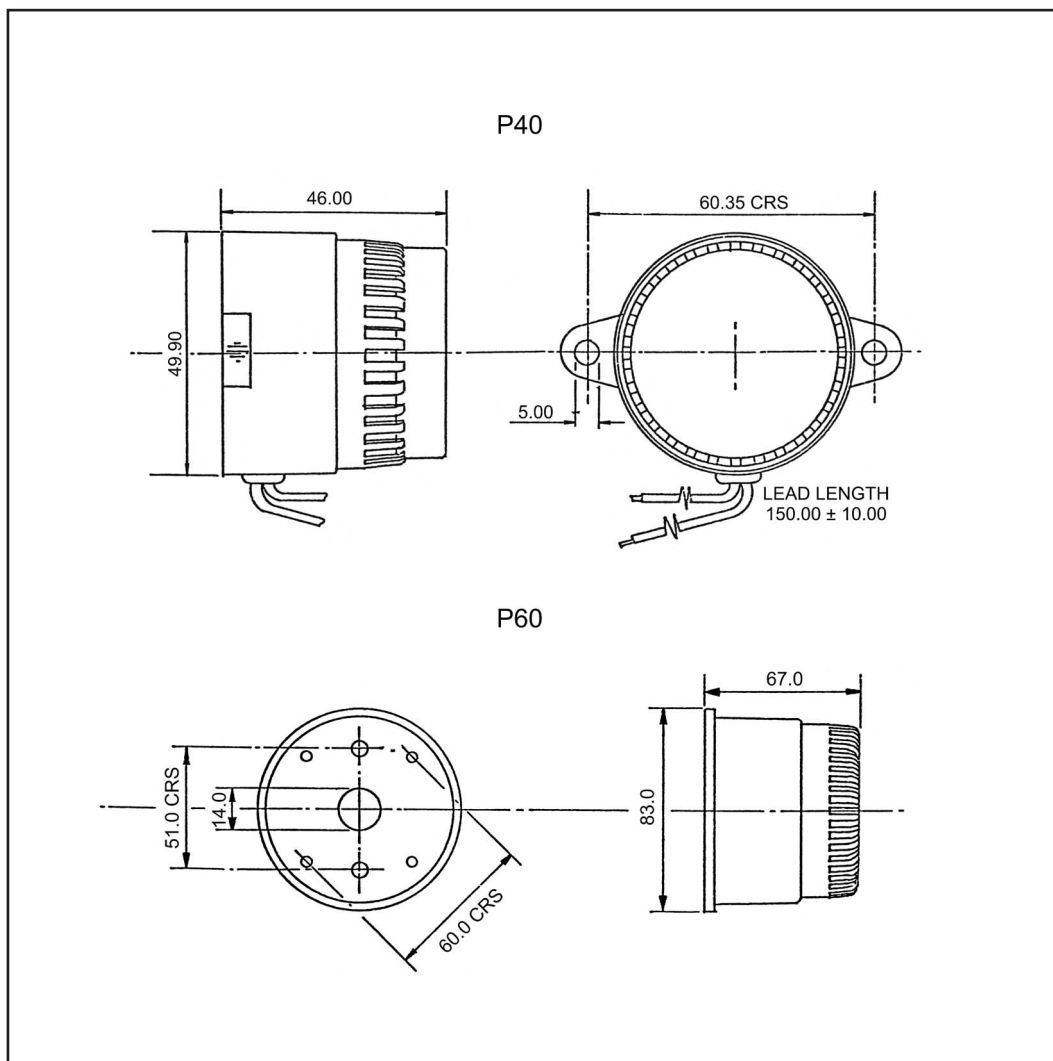
Security ✓

Industrial ✓

Railway/Marine ✓

Hazardous Area ✗

Public Warning ✗



Part No.	Colours	Audibility at 1m	Tones	Voltage	Current
17-970040	White	95dB (A) ±3db	2	12/24V DC	40mA
17-970041	White	100dB (A) ±3db	2	12/24V DC	47mA

IP Rating: IP30
Rating: Continuous
Frequency: 3200Hz
Operating temp: -20°C to +60°C
Construction: ABS
Cable Entries: Flying lead
Weight: P40: 57g; P60: 94g