



Industrial Beacons

- Choice of Red, Amber, Blue, Green and Clear lens
- Xenon or rotating designs
- Weatherproof to IP65
- Choice of voltages
- Range of accessories available

Flashguard industrial beacons are available in both flashing xenon and rotating versions. With a choice of voltages and colours and weatherproof to IP65, they are ideal for almost any industrial application.

Xenon beacons are available in two sizes with a choice of 2J and 10J units and are designed for surface mounting.

The 10J unit is a high intensity beacon with Fresnel lens and produces a penetrating light in the most adverse conditions. Suitable for larger areas, it can be selected for single or double flash.

Rotating beacons provide a highly effective light output designed to attract attention.

A range of accessories is available including a wall bracket, protective cage guard and an anti-vibration mount.

Applications

- General alarm
- Status indicator
- Emergency warning
- Security warning

Fire ✓

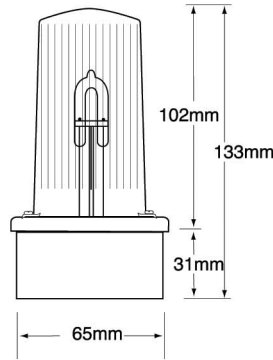
Security ✓

Industrial ✓

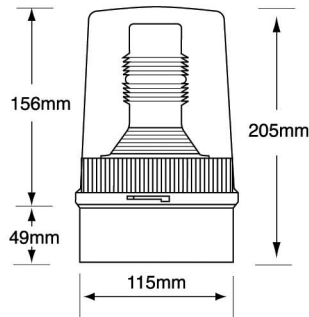
Railway/Marine ✗

Hazardous Area ✗

Public Warning ✗



2 JOULE XENON BEACON



10 JOULE XENON / ROTATING BEACON

Type	Part No. Red Lens	Part No. Amber Lens	Part No. Clear Lens	Part No. Blue Lens	Part No. Green Lens	Voltage	Flash Rate
2J	43-313214	43-313224	43-313234	43-313244	43-313254	12/24V DC or 24V AC	1Hz
2J	43-311214	43-311224	43-311234	43-311244	43-311254	115V AC	1Hz
2J	43-312214	43-312224	43-312234	43-312244	43-312254	230V AC	1Hz
10J Xenon	43-313314	43-313324	43-313334	43-313344	43-313354	12/24V DC	1Hz
10J Xenon	43-311314	43-311324	43-311334	43-311344	43-311354	115V AC	1Hz
10J Xenon	43-312314	43-312324	43-312334	43-312344	43-312354	230V AC	1Hz
Rotating	43-514814	43-514824	43-514834	43-514844	43-514854	12V DC	2Hz
Rotating	43-515814	43-515824	43-515834	43-515844	43-515854	24V DC	2Hz
Rotating	43-511914	43-511924	43-511934	43-511944	43-511954	115V AC	2Hz
Rotating	43-512914	43-512924	43-512934	43-512944	43-512954	230V AC	2Hz

IP Rating: IP65
Operating temp: Xenon: -25°C to +66°C
 Rotating: -10°C to +66°C
Construction: Polycarbonate toughened UV stable dome
Cable Entries: 1
Weight: 2J: 0.18kg; 10J: 0.72kg; Rotating: 0.83kg



LED Beacons

- Compact, ultra modern sleek appearance
- Long life LED design
- Lightweight and easy to install with first-fix option on the standard model
- Weatherproof to IP65
- White high quality polycarbonate housing to suit most decors
- Vandal-resistant safety locking mechanism on Standard models

Flashguard multipurpose weatherproof LED beacons are ideal as visual indicators in industrial and commercial environments, security systems, fire risk and hazard warning situations with a modern profile to compliment any mounting position.

Flashguard LED beacons are low current and have an exceptionally long life compared to traditional types of beacon. They also have a Fresnel lens for greater visibility and reverse polarity protection as standard.

A choice of four styles are available: Standard, Fire, Ultra Low Profile and Low Profile.

Standard: includes a terminal block and a 27mm deep base supplied with a seal and grommet.

Fire: includes a terminal block with flying leads and a 27mm deep base supplied with a seal and grommet.

Ultra Low Profile: comes complete with a screw and nylon wing nut and is supplied with mounting gasket and 40cm of cable.

A Low Profile style, i.e. without the base, is available on request.

An optional Weatherproof cable connector is also available, upgrading the IP65 rating to IP67.

Applications

- Fire alarm
- Security alert
- Emergency warning
- Process control alarm

Fire ✓

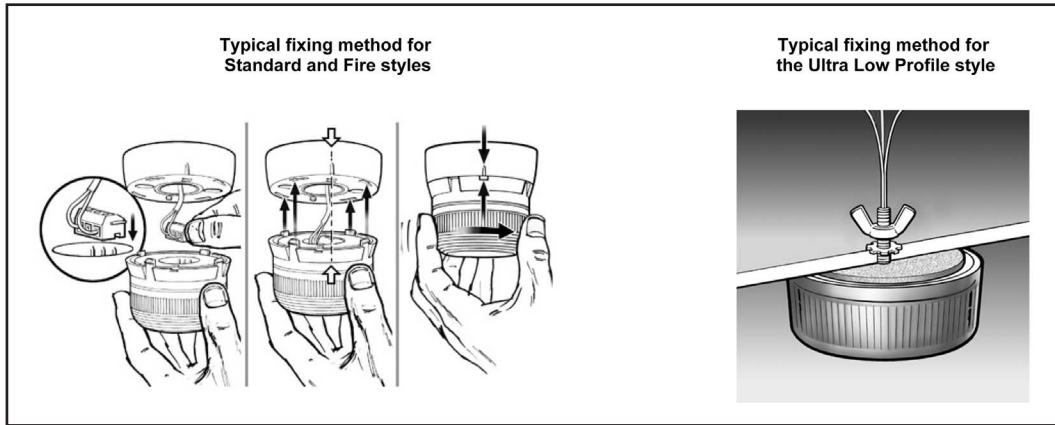
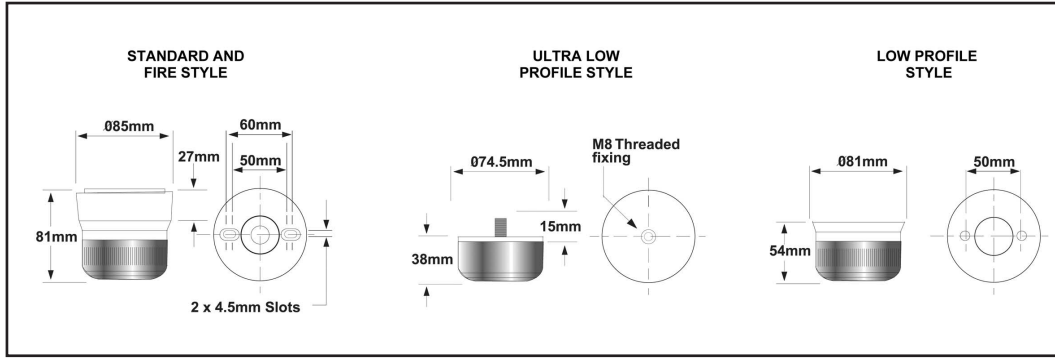
Industrial ✓

Hazardous Area ✗

Security ✓

Railway/Marine ✓

Public Warning ✗



If a higher IP rating is required, a Weatherproof Cable Connector is available, designed to upgrade our Standard and Fire style beacons to IP67 for outdoor/storm applications. Two versions are available, for AC (Part No. 45-710001) and DC (Part No. 45-710002) types.

- Simple push-on installation
- Provides IP67 seal when installed
- 100cm cable length with moulded plug to fit into beacon body



Type and Style	Part No. Red Lens	Part No. Amber Lens	Voltage	Current	Continuous or Flashing	Flash Rate
LED Standard	45-711611	45-711621	110V AC	32mA	Continuous	N/A
LED Standard	45-711811	45-711821	230V AC	32mA	Flashing	1Hz
LED Standard	45-712611	45-712621	230V AC	32mA	Continuous	N/A
LED Standard	45-712811	45-712821	230V AC	32mA	Flashing	1Hz
LED Standard	45-716411	45-716421	11/35V DC	50mA	Continuous or Flashing*	1Hz
LED Fire	45-715918	N/A	24V DC	0.8mA (Standby)/ 25mA (Alarm)	1 LED Flashing (Standby)/ 8 LEDs Flashing (Alarm)	0.4Hz (1 LED)/ 0.6Hz (8 LEDs)
LED Ultra Low Profile	Details available on request (DC versions only)					
LED Low Profile	Details available on request (DC versions only)					

*These units are user-configurable

IP Rating: Standard and Fire versions: IP65; Ultra Low Profile version Standard and Fire versions with Weatherproof Cable Connector: IP67
Operating temp: -20°C to +40°C
Construction: Polycarbonate lens & UV stabilised polycarbonate/ABS body and base
Weight: 138g



Xenon Beacons

- Compact, ultra modern sleek appearance
- Lightweight and easy to install with first-fix option on the standard model
- Weatherproof to IP65
- White high quality polycarbonate housing to suit most decors
- Standard Xenon Beacon offers 12V and 24V option in one user-selectable unit and vandal-resistant safety locking mechanism
- Synchronised model available for an enhanced visual signal

Flashguard multipurpose weatherproof xenon beacons are ideal as visual indicators in industrial and commercial environments, security systems, fire risk and hazard warning situations with a modern profile to compliment any mounting position.

All Flashguard beacons have a Fresnel lens for greater visibility and reverse polarity protection as standard. Four xenon beacon styles are available: Standard, Fire, Ultra Low Profile and Low Profile. A choice of lens colours, voltage and output (1W, 2W and 3W) are also available.

Standard: includes a terminal block and a 27mm deep base supplied with a seal and grommet.

Fire: includes a terminal block with flying leads and a 27mm deep base supplied with a seal and grommet.

Ultra Low Profile: comes complete with a screw and nylon wing nut and is supplied with mounting gasket and 40cm of cable.

A Low Profile style, i.e. without the base, is available on request.

An optional Weatherproof cable connector is also available, upgrading the IP65 rating to IP67.

Applications

- Fire alarm
- Security alert
- Emergency warning
- Process control alarm

Fire ✓

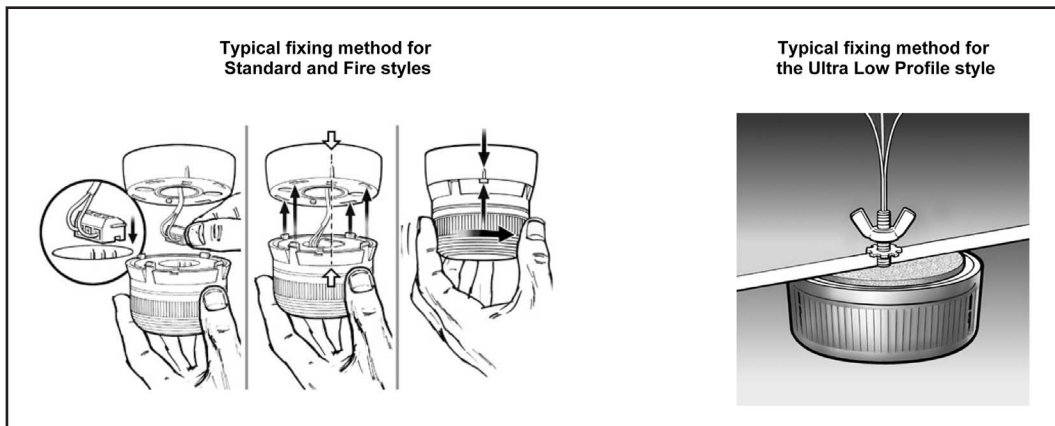
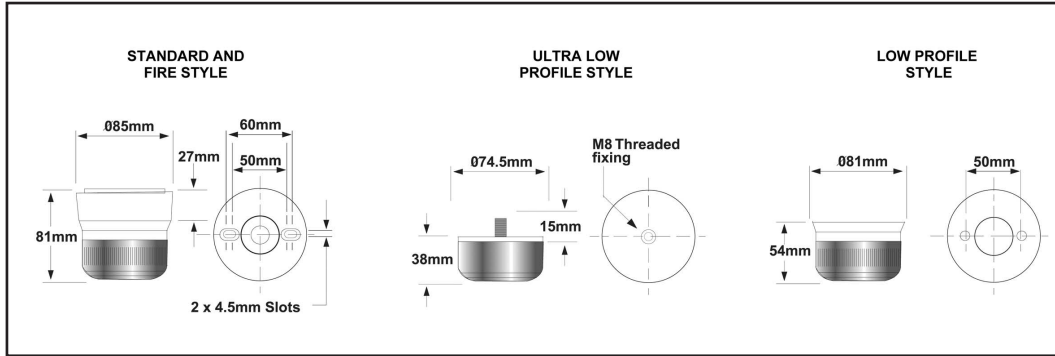
Industrial ✓

Hazardous Area ✗

Security ✓

Railway/Marine ✓

Public Warning ✗



If a higher IP rating is required, a Weatherproof Cable Connector is available, designed to upgrade our Standard and Fire style beacons to IP67 for outdoor/storm applications. Two versions are available, for AC (Part No. 45-710001) and DC (Part No. 45-710002) types.

- Simple push-on installation
- Provides IP67 seal when installed
- 100cm cable length with moulded plug to fit into beacon body



Type and Style	Part No. Red Lens	Part No. Amber Lens	Part No. Clear Lens	Part No. Blue Lens	Part No Green Lens	Voltage	Power	Current	Flash Rate
Xenon Standard	45-711311	45-711321	45-711331	45-711341	45-711351	110V AC	3W	24mA	1Hz
Xenon Standard	45-712311	45-712321	45-712331	45-712341	45-712351	230V AC	3W	15mA	1Hz
Xenon Standard	45-713311	45-713321	45-713331	45-713341	45-713351	12/24V DC*	3W	140mA/85mA	1Hz
Xenon Fire	45-713318	45-713328	45-713338	45-713348	45-713358	12/24V DC*	3W	140mA/85mA	1Hz
Xenon Synchronised Fire	45-717318	45-717328	45-717338	45-717348	45-717358	24V DC	3W	50mA	1Hz
Xenon Standard	45-713211	45-713221	45-713231	45-713241	45-713251	12/24V DC*	2W	115mA/70mA	1Hz
Xenon Fire	45-713218	45-713228	45-713238	45-713248	45-713258	12/24V DC*	2W	115mA/70mA	1Hz
Xenon Standard	45-713111	45-713121	45-713131	45-713141	45-713151	12/24V DC*	1W	60mA/45mA	1Hz
Xenon Fire	45-713118	45-713128	45-713138	45-713148	45-713158	12/24V DC*	1W	60mA/45mA	1Hz
Xenon Ultra Low Profile	45-713213	45-713223	45-713233	45-713243	45-713253	12/24V DC*	2W	115mA/70mA	1Hz

*These units are user-configurable

IP Rating: Standard and Fire versions: IP65; Ultra Low Profile version Standard and Fire versions with Weatherproof Cable Connector: IP67
Operating temp: -20°C to +40°C
Construction: Polycarbonate lens & UV stabilised polycarbonate/ABS body and base
Weight: 138g; Ultra Low Profile version: 83g