



A1 Hooter

- Unique "Klaxon" sound
- Powerful, high output penetrating sound
- Rugged construction
- Low voltage DC and high voltage AC for use in all applications
- Weatherproof to IP65

The A1 is a powerful motor driven hooter giving the unique 'Klaxon' sound. The high output, changing frequency note gives a powerful warning tone.

With a sound output of 120dB, it can cut through background noise in almost any environment and is ideal for use as a time signalling alarm or process alarm in the noisiest factory.

In addition, it can be used on barges and work boats and other similar marine applications.

The A1 has a special finish which gives it excellent chemical resistance and is therefore suitable for use in highly corrosive conditions.

Applications

- Time signalling
- Process control alarm
- Barges and work boats
- Moving machinery and cranes

Fire ✓

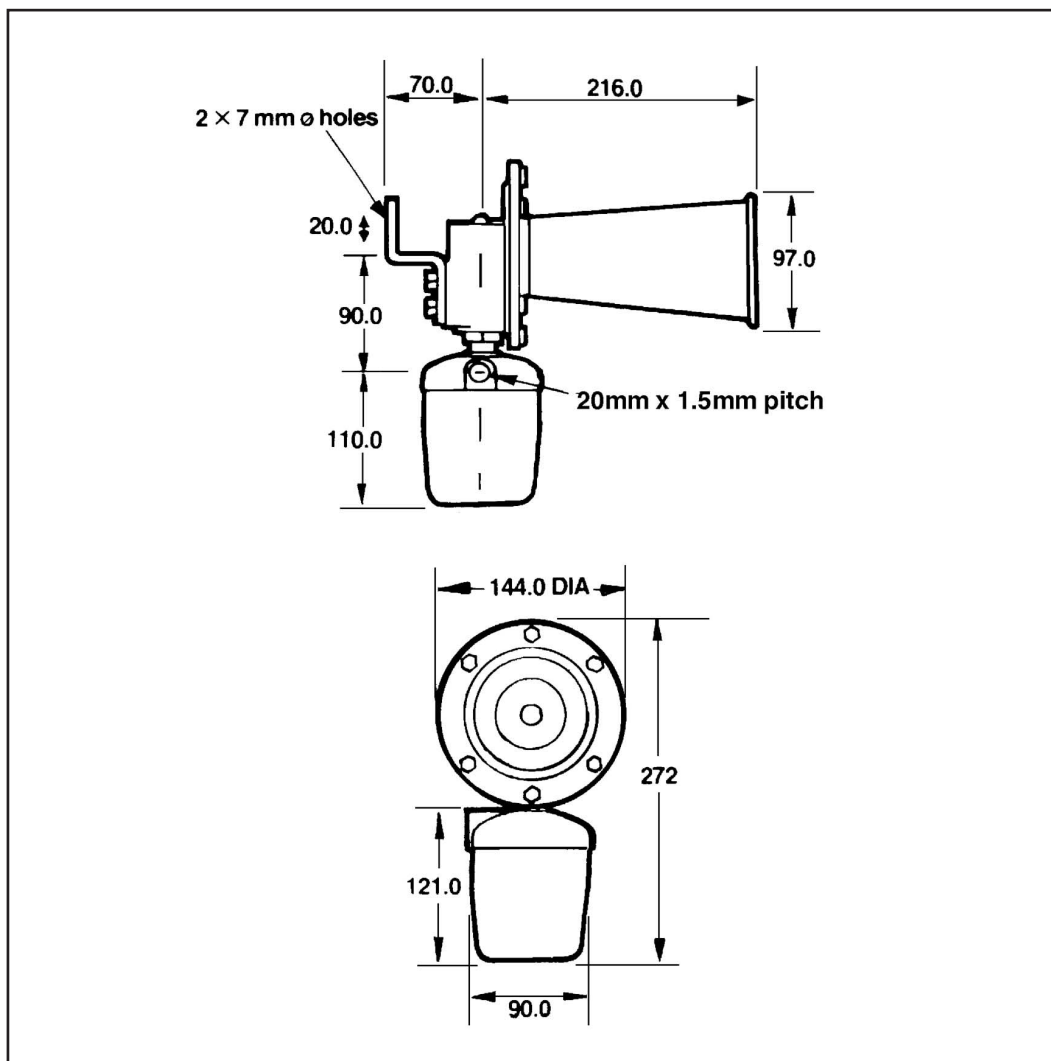
Security ✓

Industrial ✓

Railway/Marine ✓

Hazardous Area ✗

Public Warning ✗



| Part No. | Colours | Audibility at 1m | Tones | Voltage | Current |
|-----------|------------|------------------|-------|---------|---------|
| 18-980279 | Grey/Black | 120dB (A) ±3dB | 1 | 12V DC | 5A |
| 18-980280 | Grey/Black | 120dB (A) ±3dB | 1 | 24V DC | 2.3A |
| 18-980282 | Grey/Black | 120dB (A) ±3dB | 1 | 110V AC | 0.84A |
| 18-980284 | Grey/Black | 120dB (A) ±3dB | 1 | 230V AC | 0.76A |

IP Rating: IP65
Rating: On 2 minutes, off 5 minutes
Frequency: 470Hz
Operating temp: -35°C to +66°C
Construction: Die cast aluminium/brass, ABS cover
Cable Entries: 1
Weight: 2.1kg



ES Manual

- Unique “Klaxon” sound
- Manual operation, no power supply required
- Robust reliable mechanism
- Weatherproof for use in outdoor locations
- Lightweight and compact for mobile use

The ES is a manually operated hooter producing the unique 'Klaxon' sound for applications where a power supply is unavailable. Typical applications include small boats, canal barges, mine trucks and fork lift trucks.

The ES gives a powerful sound which with its low frequency tone make it an effective warning device.

The ES Classic is also available, manufactured from a solid brass and particularly suitable for barges, boats and classic cars.

Applications

- Small boats and canal barges
- Mine trucks
- Fork lift trucks
- Portable alarms

Fire ✓

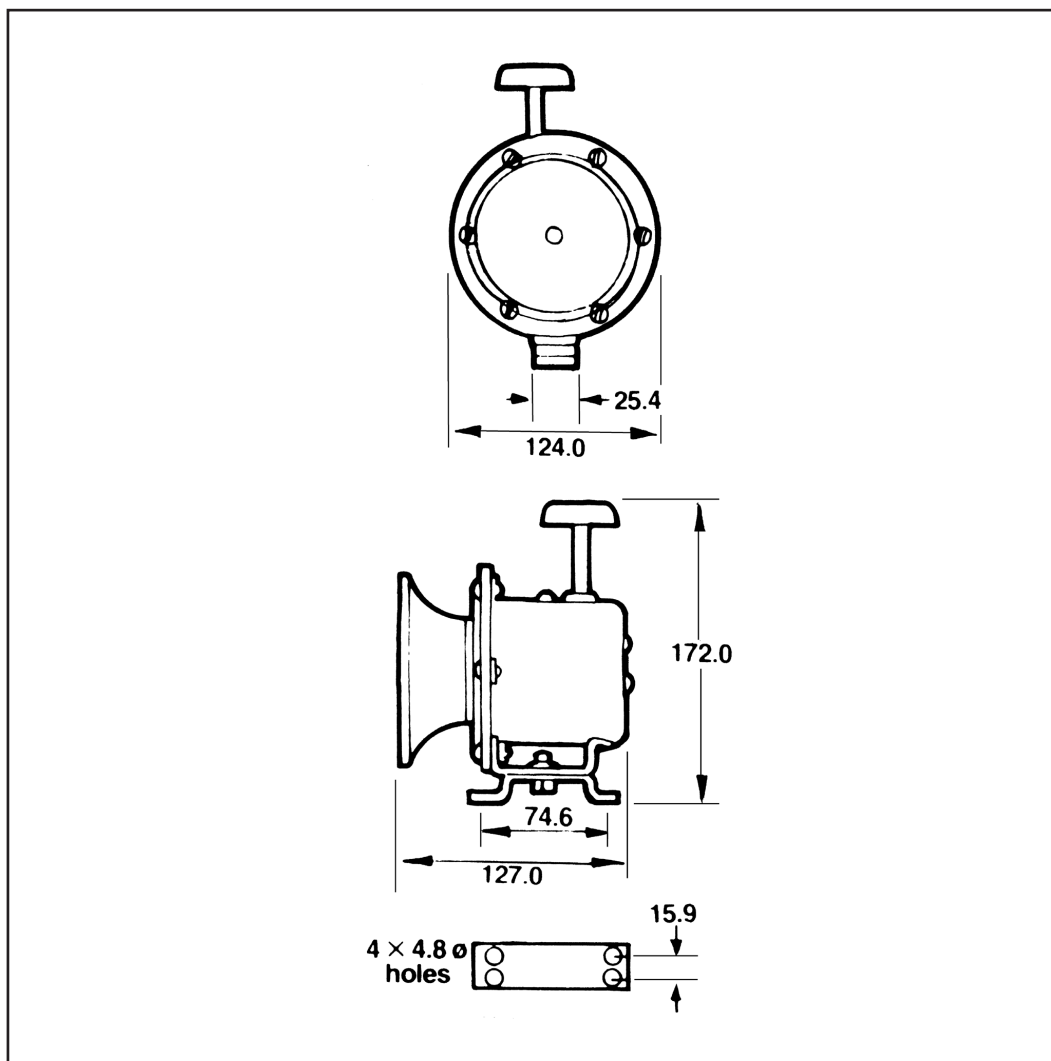
Security ✓

Industrial ✓

Railway/Marine ✓

Hazardous Area ✗

Public Warning ✗



| Part No. | Colours | Audibility at 1m | Tones | Voltage | Current |
|-----------|---------|------------------|-------|---------|---------|
| 18-980263 | Grey | 103dB (A) ±3dB | 1 | N/A | N/A |
| 18-980265 | Brass | 103dB (A) ±3dB | 1 | N/A | N/A |

IP Rating: IP54
Rating: Continuous
Frequency: 150-350Hz
Operating temp: N/A
Construction: Steel
Cable Entries: N/A
Weight: 1.2kg



Klaxet

- Unique “Klaxon” sound
- Powerful penetrating tone
- Robust reliable mechanism
- Rugged construction
- Low voltage DC and high voltage AC for use in all applications
- Weatherproof to IP54

The Klaxet is a motor driven hooter giving the unique 'Klaxon' sound. The high output, changing frequency note gives a powerful warning tone which can be heard above background noise in industrial applications.

Applications include time signalling, process control alarms, telephone extension ringing and cranes.

Manufactured with a cast iron casing, the Klaxet is designed to withstand rugged use in all situations.

Applications

- Time signalling
- Process control alarm
- Telephone ringing
- Crane alarm
- Small boats and canal barges

Fire ✓

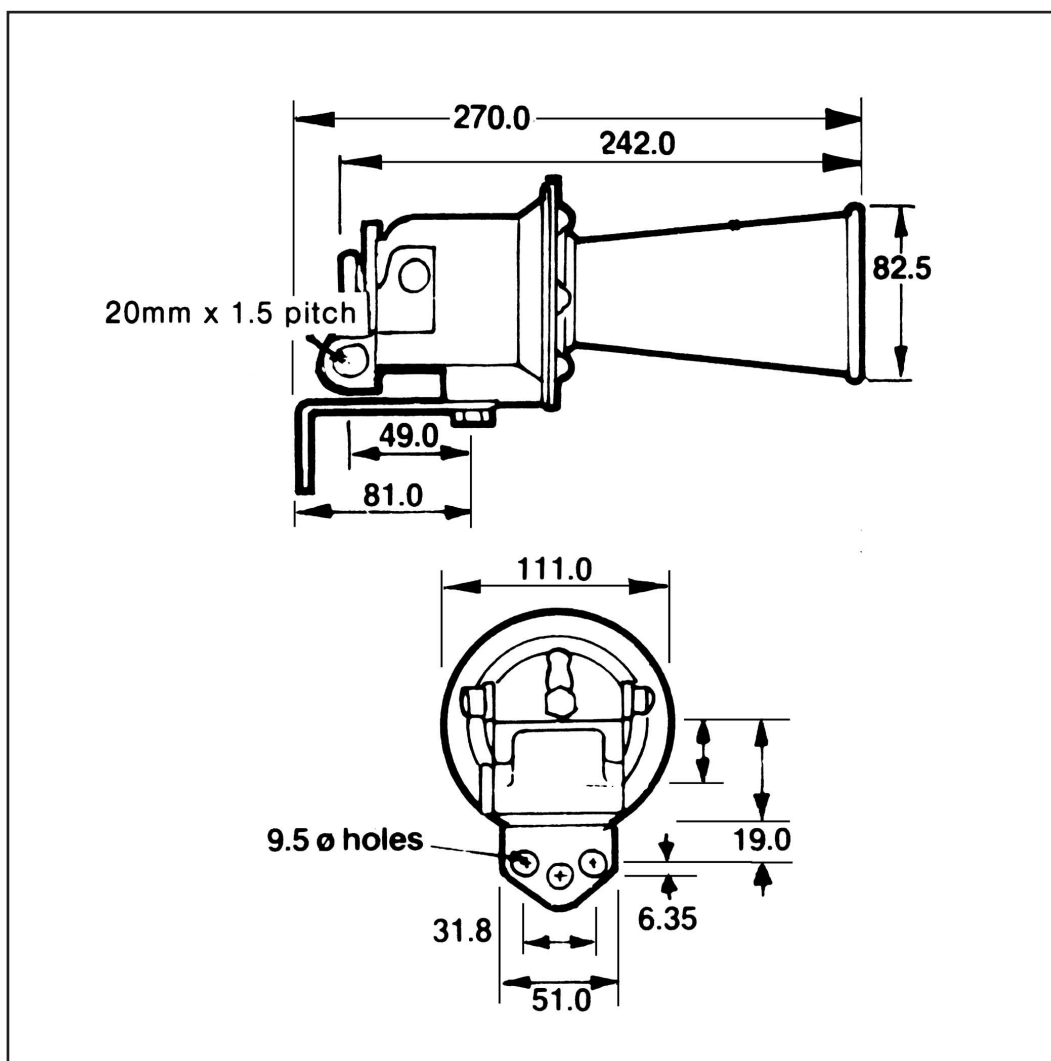
Industrial ✓

Hazardous Area ✗

Security ✓

Railway/Marine ✓

Public Warning ✗



| Part No. | Colours | Audibility at 1m | Tones | Voltage | Current |
|-----------|---------|------------------|-------|---------|---------|
| 18-980249 | Grey | 111dB (A) ±3dB | 1 | 12V DC | 2.5A |
| 18-980250 | Grey | 111dB (A) ±3dB | 1 | 24V DC | 1.0A |
| 18-980252 | Grey | 111dB (A) ±3dB | 1 | 110V AC | 0.5A |
| 18-980253 | Grey | 111dB (A) ±3dB | 1 | 230V AC | 0.33A |

IP Rating: IP54
Rating: On 1 minute, off 5 minutes
Frequency: 470Hz
Operating temp: -20°C to +40°C
Construction: Cast iron/brass
Cable Entries: 2
Weight: 1.6kg